



The TFU-WB Series antenna is designed as a broadband, low-cost, low-windload alternative to UHF panel antennas.

DIELECTRIC ADVANTAGES

- Broadband: Channels 14-51
- Economical alternative to panel antennas
- Low weight and 75% less windload than panels
- Input powers up to 90 kW
- Includes standard mounting brackets
- Quick delivery
- Available in HPOL or EPOL
- Designed for side mounting on existing structures
- ATSC 3.0 & DVB-T2 ready
- 4, 8, 16 and 24 bays
- Cardioid azimuth pattern

SPECIFICATIONS

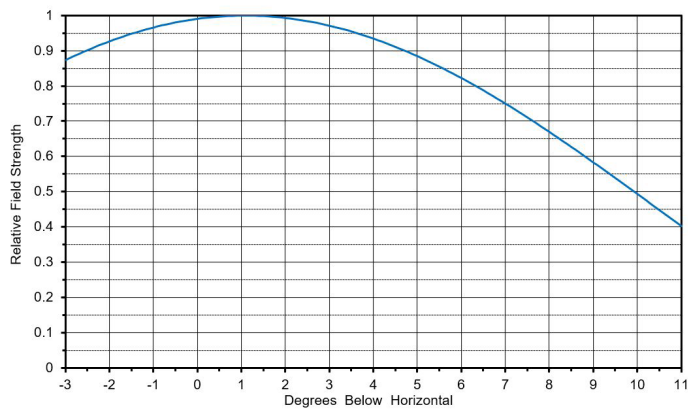
- **Polarization:** Horizontal or Elliptical
- **Beam Tilt Standards:**
 - 1 degree for 4, 8, 16 and 24 bay
- **Input Size:** 4 1/16" EIA (others available)
- **Max VSWR (470-698 MHz):** < 1.15:1
- **Input Power:** 30 kW per 8 bay section
- **Azimuth Gain:** See following pages
- **Windload:** 27.4 ft² per 8 bay section
- **Weight:** 260 lbs per 4 bay / 510 lbs per 8 bay
- **Height:** 7.4 ft per 4 bay / 14.4 ft per 8 bay
- **EPA:** 14.1 ft² per 4 bay / 25.4 ft² (Using G-Code: BWS: 90mph, Structure Class: II, Exp. Cat: C, Topo. Cat: 1)



Antenna Type	Pattern	Length (ft)	Weight (lb)	Wind Area (ft ²)
TFU-4WB HP	C160	7.4	350	14.1
	S230			14.1
	C170			14.1
	S380			15.2
	C190			15.2
TFU-8WB HP	C160	14.4	550	25.4
	S230			14.1
	C170			25.4
	S380			27.4
	C190			27.4
TFU-16WB HP	C160	29.3	1200	54.3
	S230			54.3
	C170			54.3
	S380			58.5
	C190			58.5
TFU-24WB HP	C160	44.2	2000	90.5
	S230			90.5
	C170			90.5
	S380			96.6
	C190			96.6

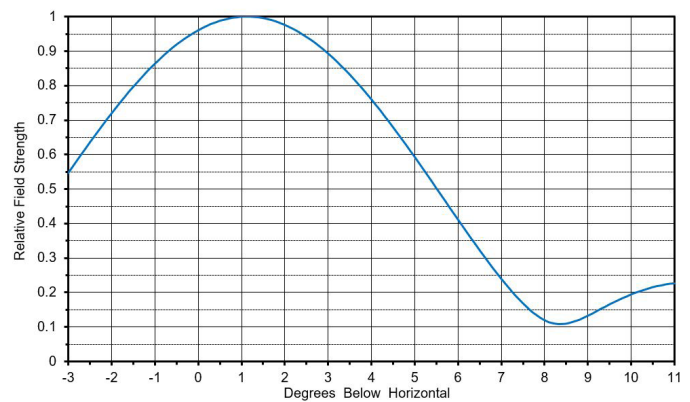
Wind Spec: TIA-222-G | BWS: 90 mph | Structure: II | Exposure: C | Topo Cat. 1

TFU-WB-4



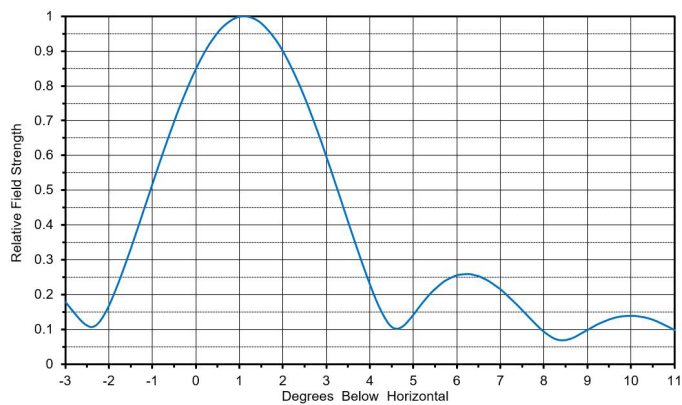
RMS GAIN 4.0

TFU-WB-8



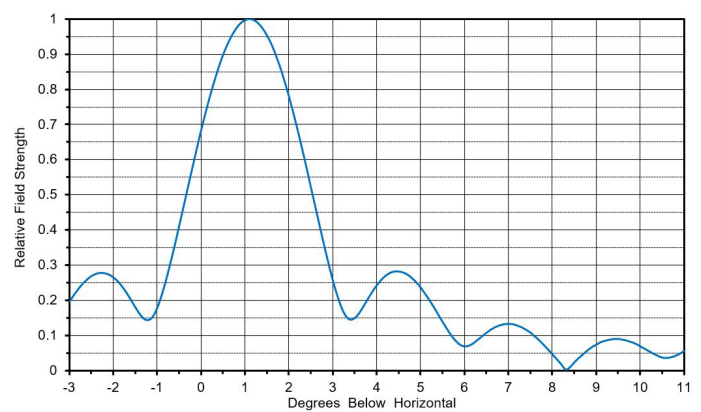
RMS GAIN 8.5

TFU-WB-16



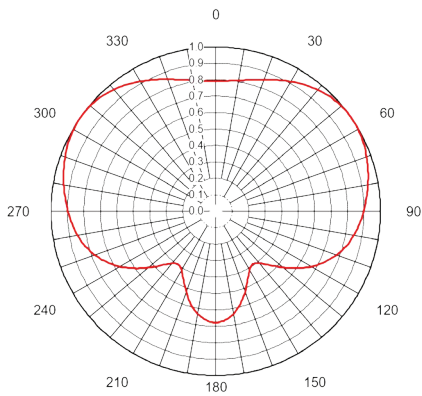
RMS GAIN 17.0

TFU-WB-24



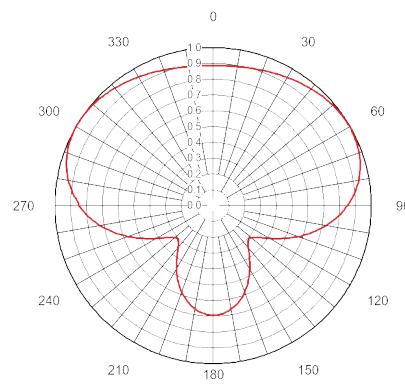
RMS GAIN 25.0

C160



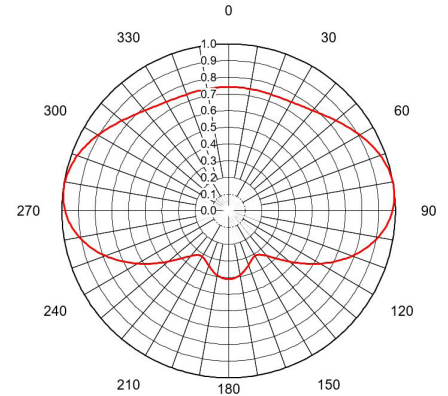
AZ GAIN 1.58 (1.99 dB)

C170



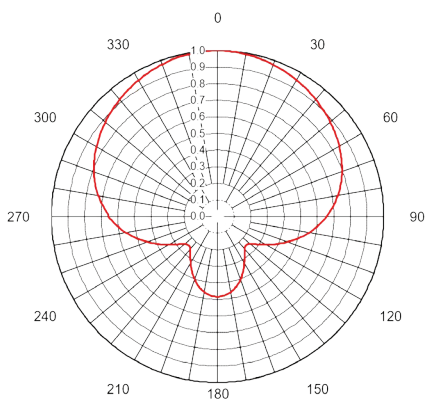
AZ GAIN 1.66 (1.99 dB)

C190



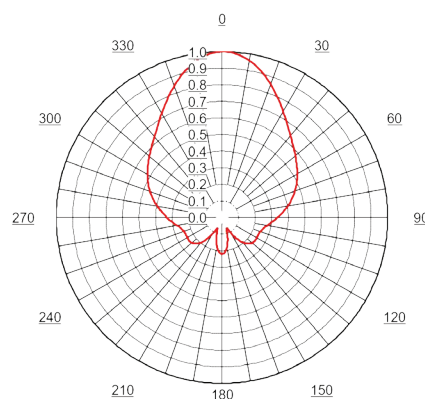
AZ GAIN 1.87 (2.71 dB)

S230



AZ GAIN 2.09 (3.19 dB)

S380



AZ GAIN 3.97 (5.99 dB)



The TFU-WB LP Series antenna is a new addition to the Powerlite™ portfolio. It is designed as a broadband, low-cost, low-windload alternative to UHF panel antennas.

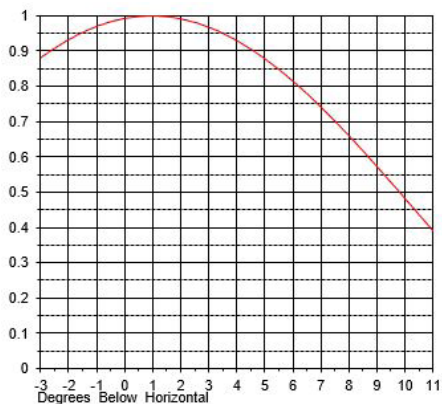
DIELECTRIC ADVANTAGES

- Broadband: Channels 14-51
- Economical alternative to panel antennas
- Low weight and 75% less windload than panels
- Input powers up to 5 kW
- Includes standard mounting brackets
- Quick delivery
- Available in HPOL or EPOL
- Designed for side mounting on existing structures
- Stripline slot design
- 4, 8 and 16 bays
- Multiple azimuth patterns

SPECIFICATIONS

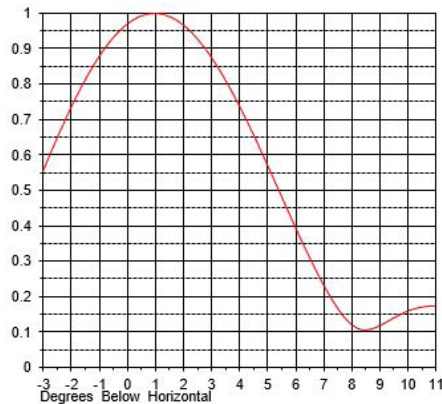
- **Polarization:** Horizontal or Elliptical
- **Input Size:** 1 5/8" EIA
- **VSWR (Max 470-698 MHz):** < 1.15:1
- **Max Input Power:** 2.5 kW per 4 bay section
- **Max Input Power:** 5.0 kW per 8 bay section
- **Azimuth Directivity:** See following pages
- **Weight:** 240 lbs per 4 bay / 400 lbs per 8 bay
- **Height:** 7.4 ft per 4 bay / 14.4 ft per 8 bay / 21.6 ft per 16 bay
- **EPA:** 11.0 ft² per 4 bay / 20.8 ft² (Using G-Code: BWS: 90mph, Structure Class: II, Exp. Cat: C, Topo. Cat: 1)

TFU-WB LP-4



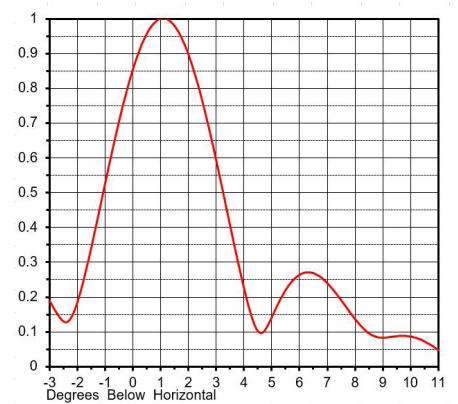
RMS GAIN 3.5
BEAM TILT 1.0 DEG

TFU-WB LP-8



RMS GAIN 8.0
BEAM TILT 1.0 DEG

TFU-WB LP-16



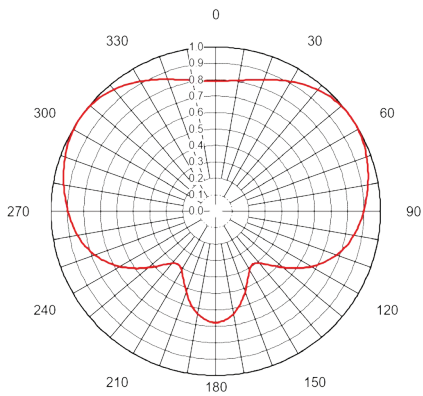
RMS GAIN 17.0
BEAM TILT 1.0 DEG



Antenna Type	Pattern	Length (ft)	Weight (lb)	Wind Area (ft ²)
TFU-4WB LP	C160	7.4	300	11
	S230			11
	C170			11
	S380			12.1
	C190			12.1
TFU-8WB LP	C160	14.4	400	20.8
	S230			20.8
	C170			20.8
	S380			22.9
	C190			22.9
TFU-16WB LP	C160	29.3	850	46.3
	S230			46.3
	C170			46.3
	S380			50.4
	C190			50.4
TFU-24WB LP	C160	44.2	1300	69.2
	S230			69.2
	C170			69.2
	S380			75.3
	C190			75.3

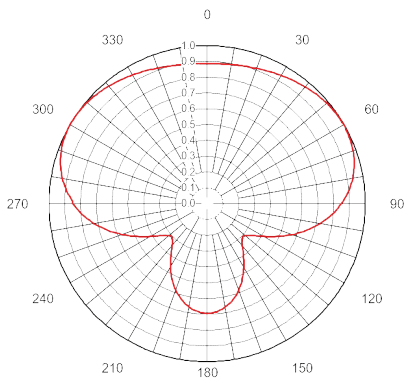
Wind Spec: TIA-222-G | BWS: 90 mph | Structure: II | Exposure: C | Topo Cat. 1

C160



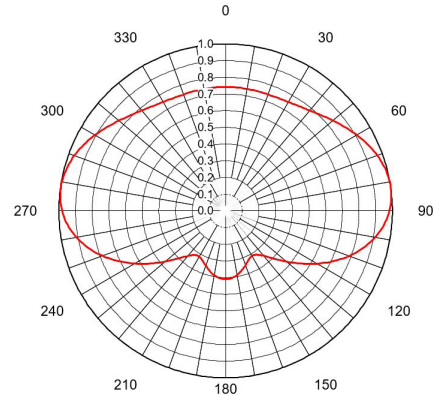
AZ GAIN 1.58 (1.99 dB)

C170



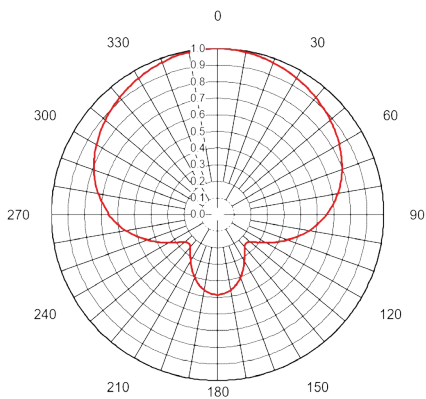
AZ GAIN 1.66 (1.99 dB)

C190



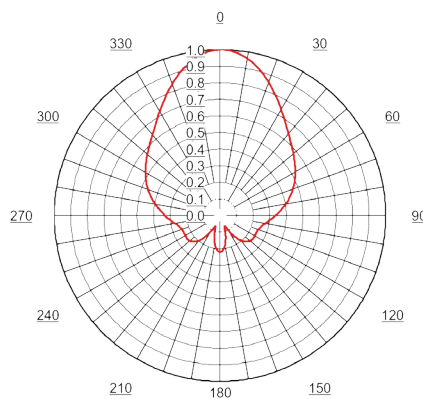
AZ GAIN 1.87 (2.71 dB)

S230



AZ GAIN 2.09 (3.19 dB)

S380



AZ GAIN 3.97 (5.99 dB)