

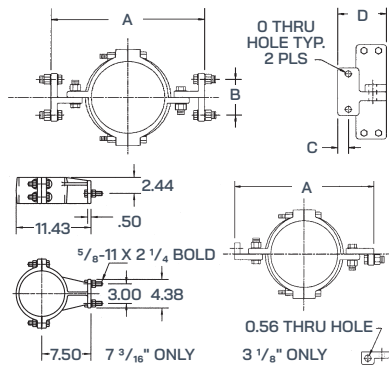
**Single, Fixed**

For use with vertical runs under 1000 ft.

T/L Size	Catalog Number	L1	Approx. Weight	
3 1/8"	370-034	5"	1 lb	

T/L Size	Catalog Number	L1	L2	Approx. Weight
4 1/16"	470-034	5 3/4"	2 3/8"	5 lbs
6 1/8"	670-034	6 7/8"	2 3/8"	6 lbs
7 3/16"	770-034	7 1/2"	3"	8 lbs
8 3/16"	870-034	8"	3"	11 lbs
9 3/16"	970-034	8"	3"	11 lbs



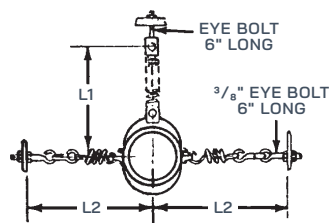
**Single, Fixed, Heavy Duty Hangers**

For use with vertical runs under 1000 ft.

T/L Size	Catalog Number	A	B	C	D	Thru Holes
3 1/8"	370-042	10"	—	—	—	—
4 1/16"	470-042	11 1/2"	2 3/8"	7/8"	3 7/8"	9/16"
6 1/8"	670-042	13 3/4"	2 3/8"	15/16"	2 15/16"	11/16"
7 3/16"	770-042	SEE DRAWING AT LEFT				
8 3/16"	870-042	16"	3"	31/32"	4 5/16"	11/16"
9 3/16"	970-042	17 1/2"	3"	1 3/32"	4 13/16"	11/16"

**Single Horizontal Three-Point Suspension Hangers**

For horizontal suspension of a single line.

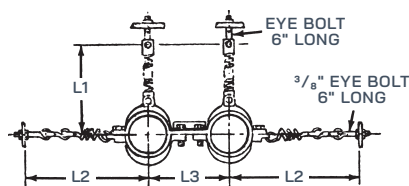


T/L Size	Catalog Number	L1	L2	Approx. Weight
3 1/8"	370-032	15 1/8"	15"	5 lbs
4 1/16"	470-032	18 1/2"	17 1/4"	7 lbs
6 1/8"	670-032	23 3/4"	16 3/4"	12 lbs
7 3/16"	770-032	24 1/4"	17 3/8"	20 lbs
8 3/16"	870-032	24 3/4"	17 7/8"	30 lbs
9 3/16"	970-032	25 1/4"	18 3/8"	18 lbs

\*Indicates free length (No Load)

**Dual Horizontal Three-Point Suspension Hangers**

For horizontal suspension of dual lines.



T/L Size	Catalog Number	L1	L2	L3	Approx. Weight
3 1/8"	370-033	15 1/8"	15"	5 1/2"	9 lbs
4 1/16"	470-033	20 3/4"	17 1/4"	6 1/2"	11 lbs
6 1/8"	670-033	28"	16 3/4"	8 3/4"	19 lbs

\*Indicates free length (No Load)