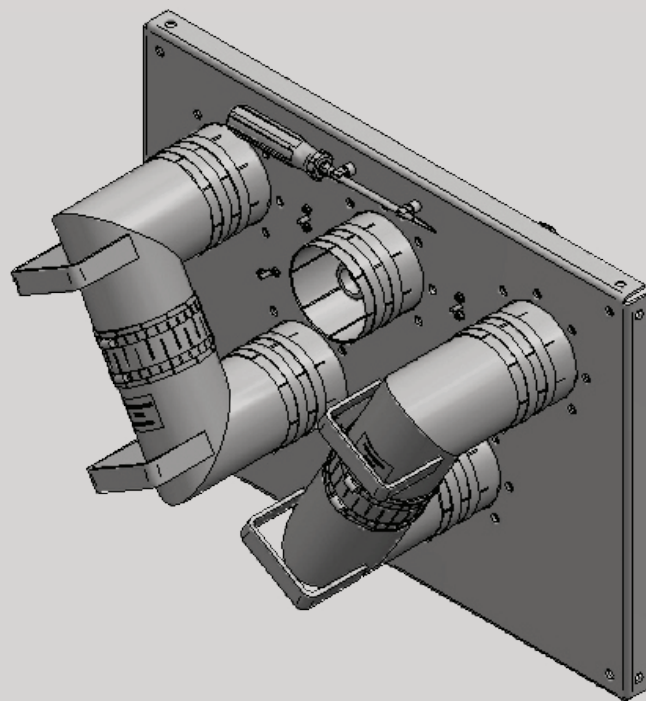


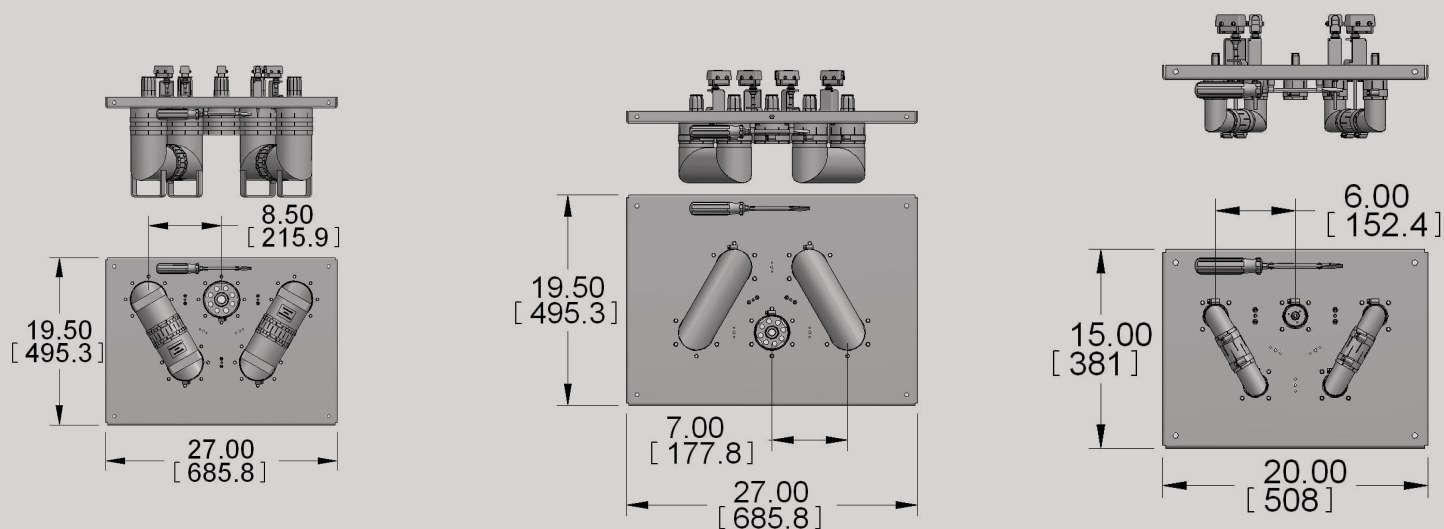
Key Features:

- Low insertion loss
- Low VSWR
- Indoor applications
- Manual switching with U-link
- DPDT interlocks for customer's RF interlocking



Notes

- 1) For more than 5,000 feet (1,524 m), please contact the factory.
- 2) Patch panels must not be exposed to condensing moisture environments.
- 3) 104°F (+40°C) ambient temperature, 145°F (63°C) outer temperature, 248°F (120°C) inner temperature sea level, 0 PSIG, VSWR=1.0



Trusted for Decades. Ready for Tomorrow.